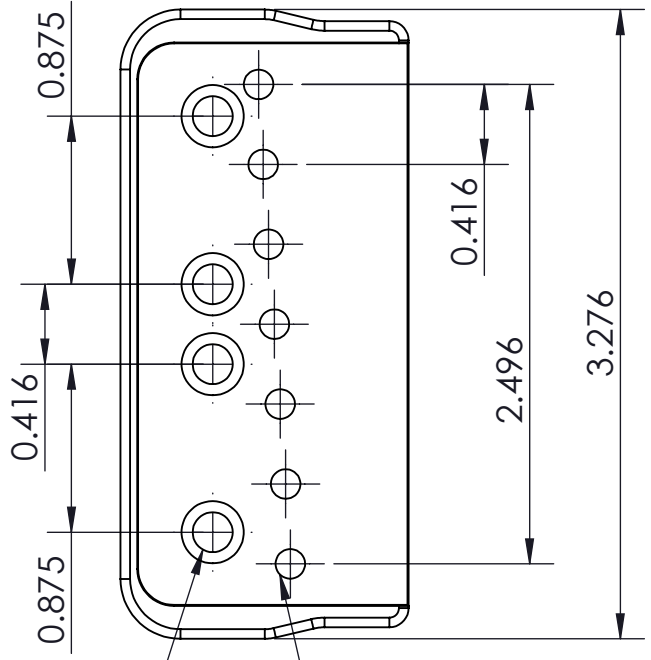


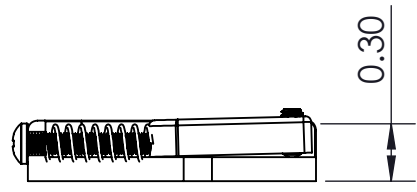
0.387
MAX INTONATION

0.022
MIN INTONATION



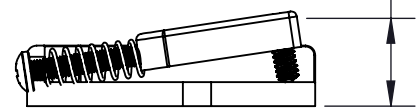
.178 MOUNTING HOLE
DIAMETER. (USE 5/64"
PILOT DRILL)

.156 STRING THRU HOLE
DIAMETER (USE 5/32" DRILL)

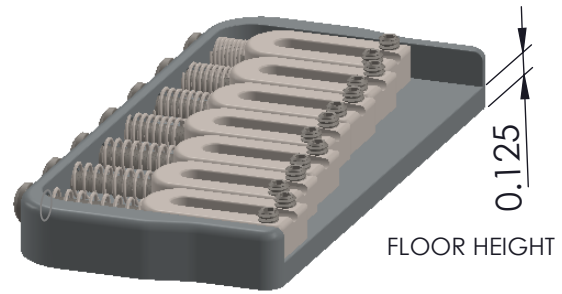


MIN STRING HEIGHT
(BOTTOM OF STRING
TO FACE OF GUITAR)

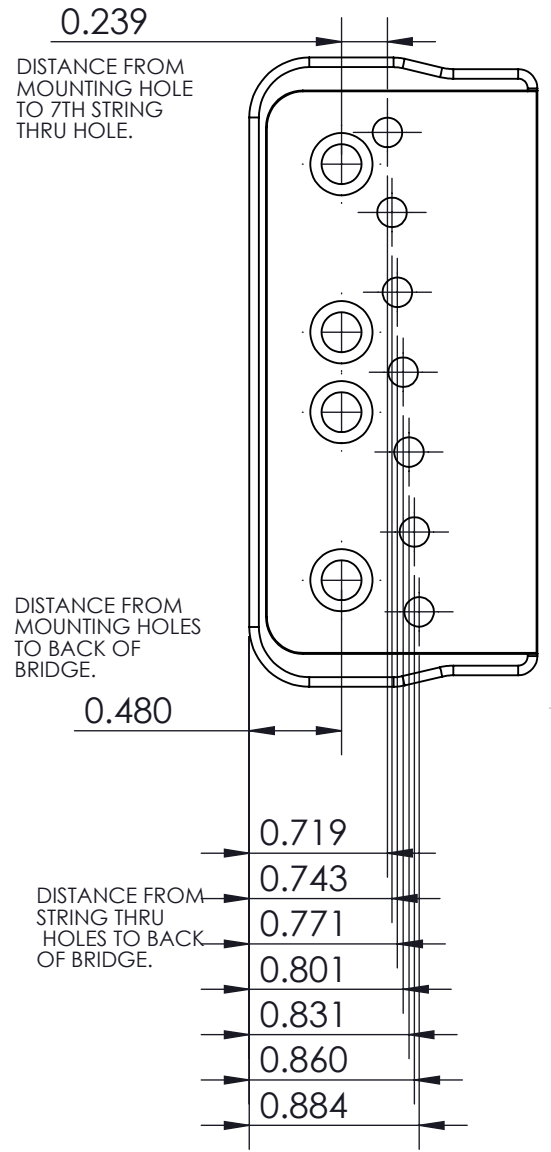
0.46



MAX STRING HEIGHT
(BOTTOM OF STRING
TO FACE OF GUITAR)



FLOOR HEIGHT



0.239
DISTANCE FROM
MOUNTING HOLE
TO 7TH STRING
THRU HOLE.

DISTANCE FROM
MOUNTING HOLES
TO BACK OF
BRIDGE.

0.480
DISTANCE FROM
STRING THRU
HOLES TO BACK
OF BRIDGE.

0.719
0.743
0.771
0.801
0.831
0.860
0.884

WEIGHT (WITH MOUNTING HARDWARE): 5.04 oz

THIS DRAWING IS THE SOLE PROPERTY OF HIPSHOT PRODUCTS, INC.
ALL RIGHTS ARE RESERVED.
DIMENSIONS AND PRODUCT FEATURES ARE SUBJECT TO CHANGE
WITHOUT NOTICE.

UNLESS OTHERWISE SPECIFIED:
DIMENSIONS ARE IN INCHES
TOLERANCE: ± .005

IMAGE NOT DRAWN
TO SCALE

7 STG. FIXED BRIDGE .125



8248 STATE ROUTE 96
Interlaken, NY 14847 U.S.A.
TEL:607-532-9404 FAX:607-532-9530
E-MAIL: info@HipshotProducts.com